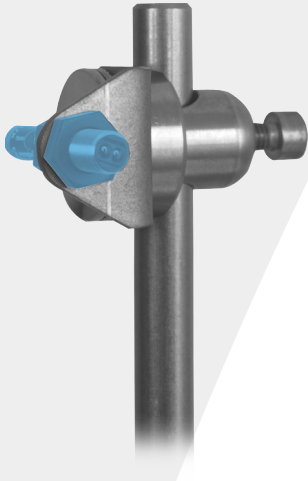


# Mounting System for M8 x 1



## W8S12AL

Part Number



### Technical Data

Mechanical Data	
Material Mounting Head	Aluminum
Material Mounting Plate for Round Profile Diameter	Stainless Steel V2A 8...12,5 mm
Mounting Number	200

- Aluminum
- Flexible alignment possibilities
- for M8 x 1
- Simple installation

